



Empire Abrasive Equipment

Cartridge Filter Collector EM 2-2 and EM 2-4

Replacement Parts List

Includes Illustrations and Replacement Parts



This manual is property of the owner. Leave with the collector when set-up and start-up are complete. Donaldson Company reserves the right to change design and specifications without prior notice.

Illustrations are for reference only as actual product may vary.

Contents

Empire Dust Collector.....1
 Filter Access Cover Assembly3
 Photohelic® Gauge Assembly4
 Control Box and Timer Assembly EM 2-2.....5
 Control Box and Timer Assembly EM 2-4.....6
 Manifold Assembly7
 Diaphragm Valve and Repair Kit.....8
 Solenoid Assembly, NEMA 4 Enclosure.....9
 5-Gallon Pail Pack with Gate Valve.....10
 Drum Cover Assembly11
 Inlet Cover Pack.....12
 Chamber Silencer13
 Service Notes14

Photohelic® is a registered trademark of Dwyer Instruments, Inc.

Parts Program

For genuine Empire Abrasive Equipment Company replacement
filters and parts, call:

800-497-4543

Parts Ordering Information

When ordering parts, give model number and serial number of dust
collector, part number, description and quantity of parts desired.

Data Sheet

Model Number _____ Serial Number _____

Ship Date _____ Installation Date _____

Customer Name _____

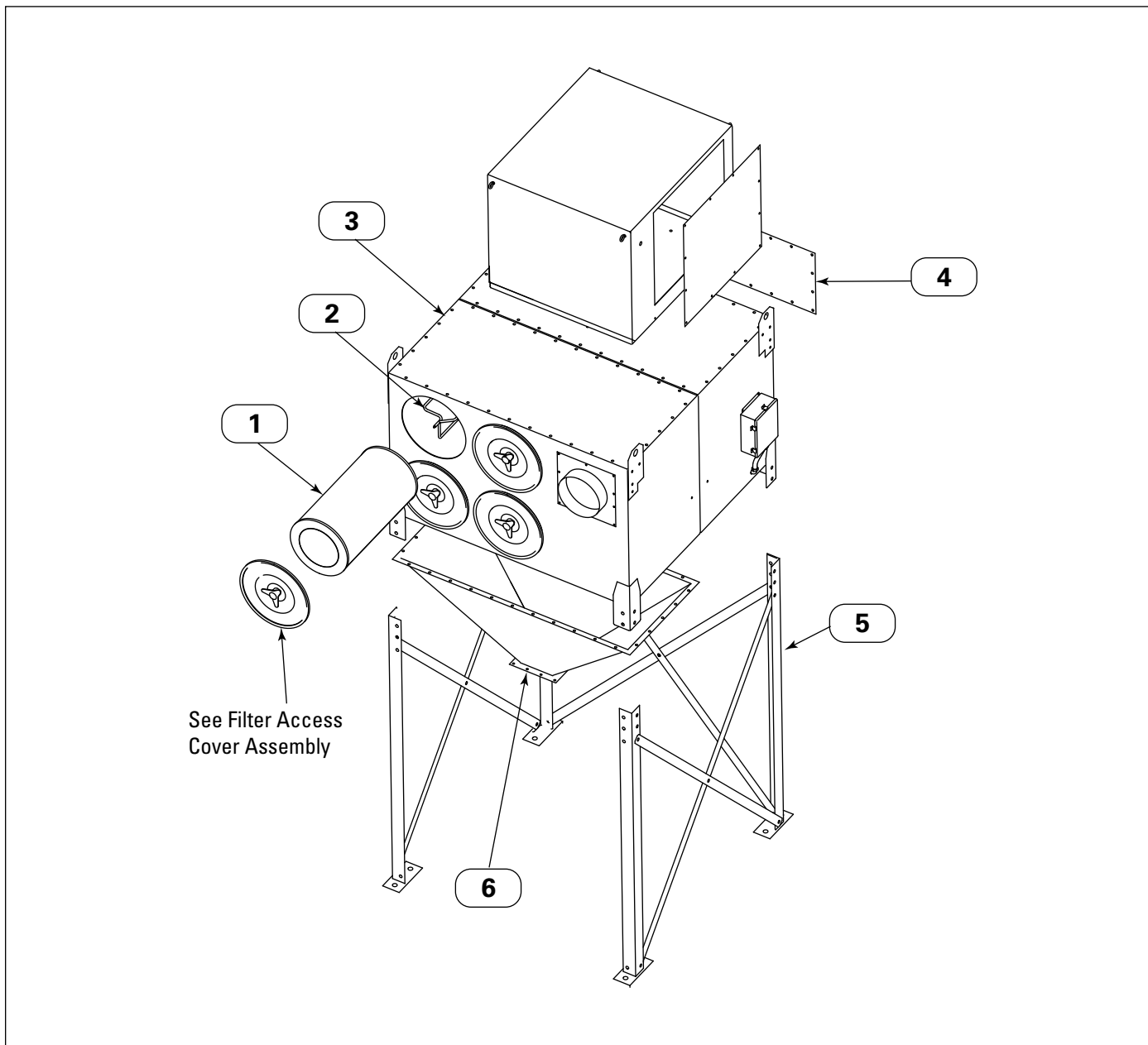
Address _____

Filter Type _____

Accessories _____

Other _____

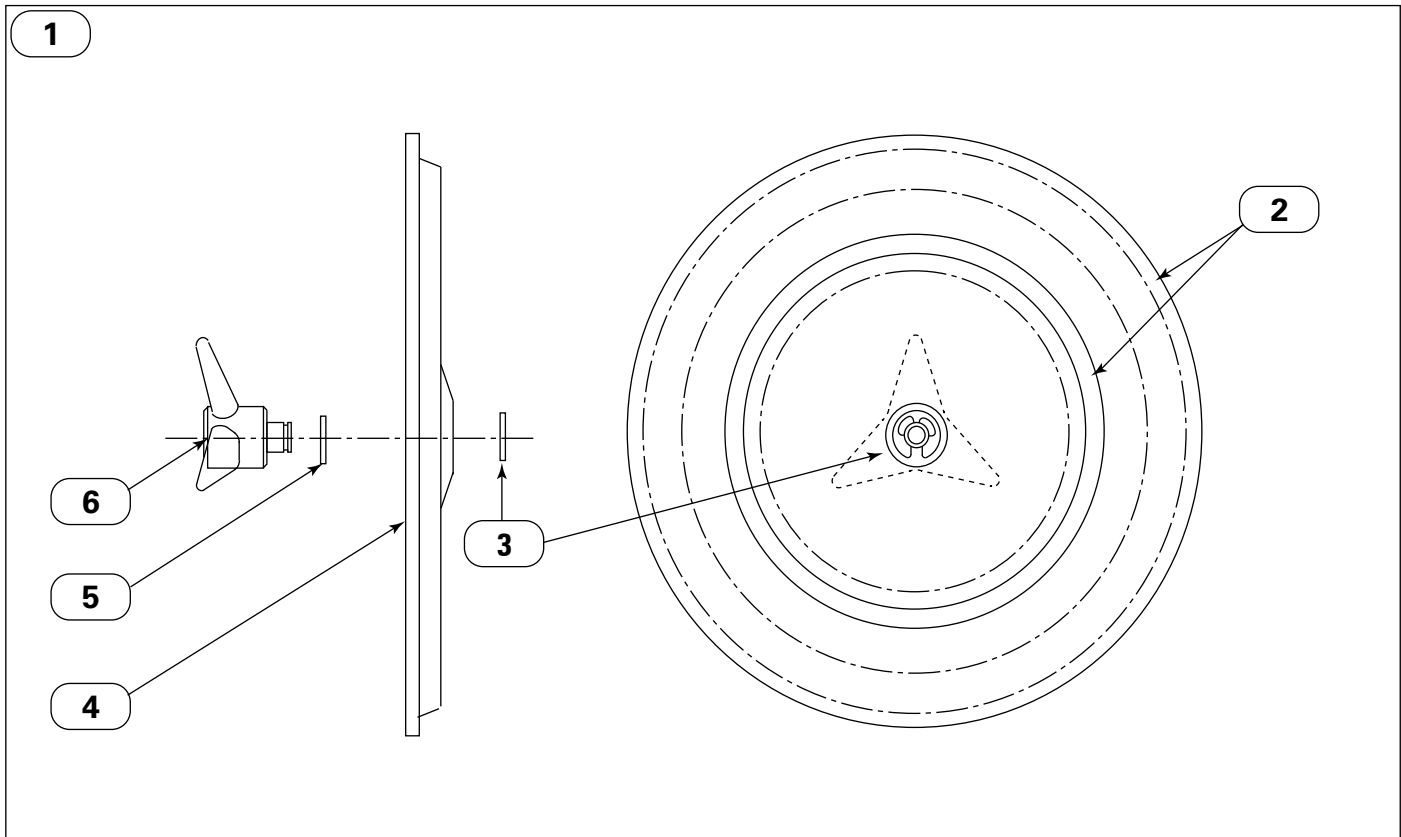
Empire Dust Collector



Empire Dust Collector (Model EM 2-4 Shown)

Item	Part Number	Description	Model
1	515522	Filter Cartridge, Ultra-Web®	All
2	5784001	Yoke Weldment	All
3	5852701	Cover, Dirty Air Plenum	EM 2-4
	5696701	Cover, Dirty Air Plenum	EM 2-2
4	5711101	Outlet Cover Pack, Bottom	All
5	AD3527303	Leg Pack for 55-Gallon Drum	EM 2-2
	AD3527304	Leg Pack for 5-Gallon Drum	EM 2-2
	AD3527301	Leg Pack for 55-Gallon Drum	EM 2-4
	AD3527302	Leg Pack for 5-Gallon Drum	EM 2-4
6	5708601	Hopper Pack	EM 2-2
	5851501	Hopper Pack	EM 2-4

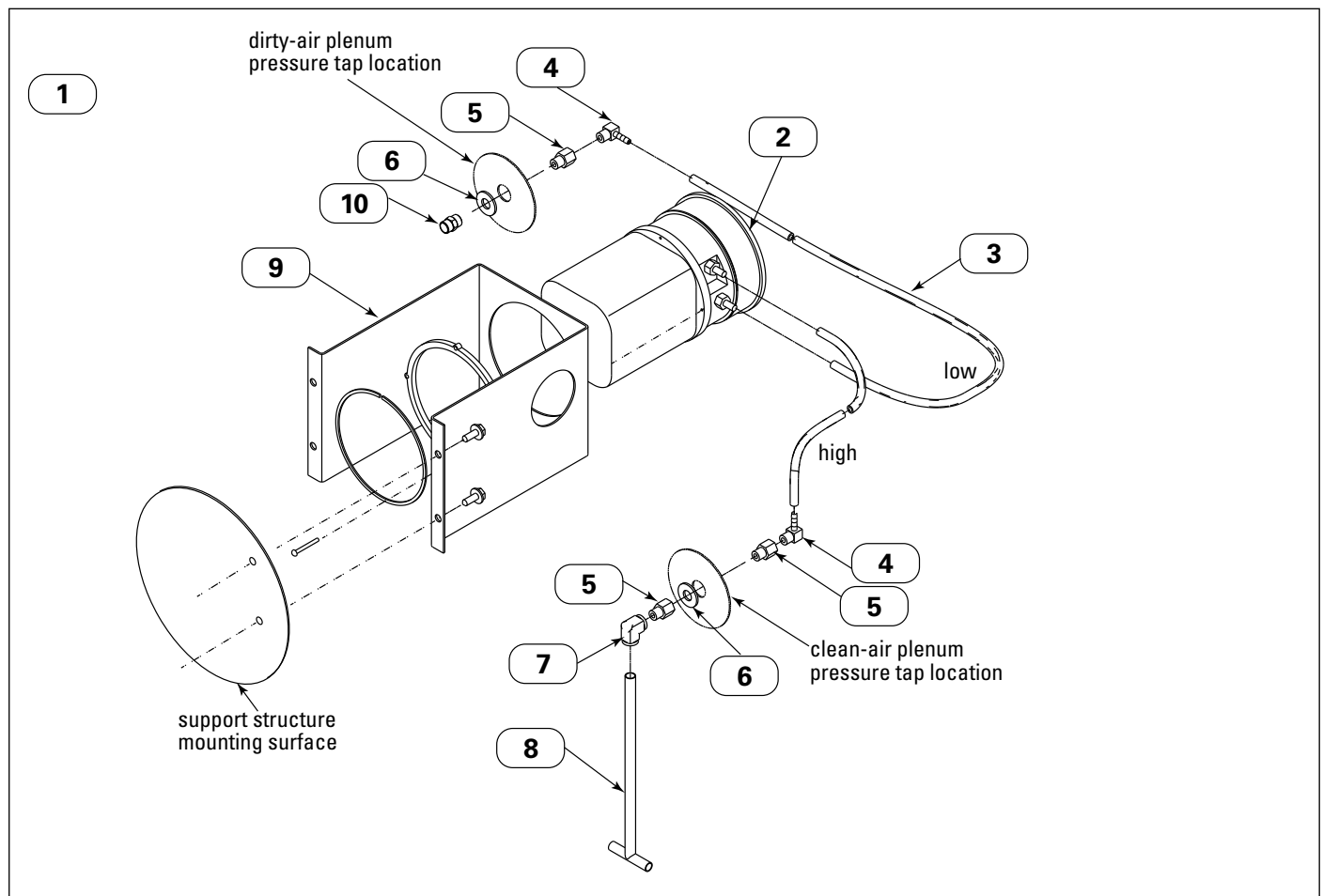
Filter Access Cover Assembly



Filter Access Cover Assembly

Item	Part Number	Description	Model
1	3123301	Access Cover Assembly, includes all gaskets	All
2	516307	Gasket Kit Access Cover (Kit includes inner and outer gasket)	All
2a	516321	Outer Gasket Access Cover	All
2b	516322	Inner Gasket Access Cover	All
3	516323	Clip, 0.668-in ID	All
4	3175700	Access Cover	All
5	2242300	Gasket Washer 13/16-in ID	All
6	516320	Knob, 3-Lobe, 1/2-13 UNC-2B	All

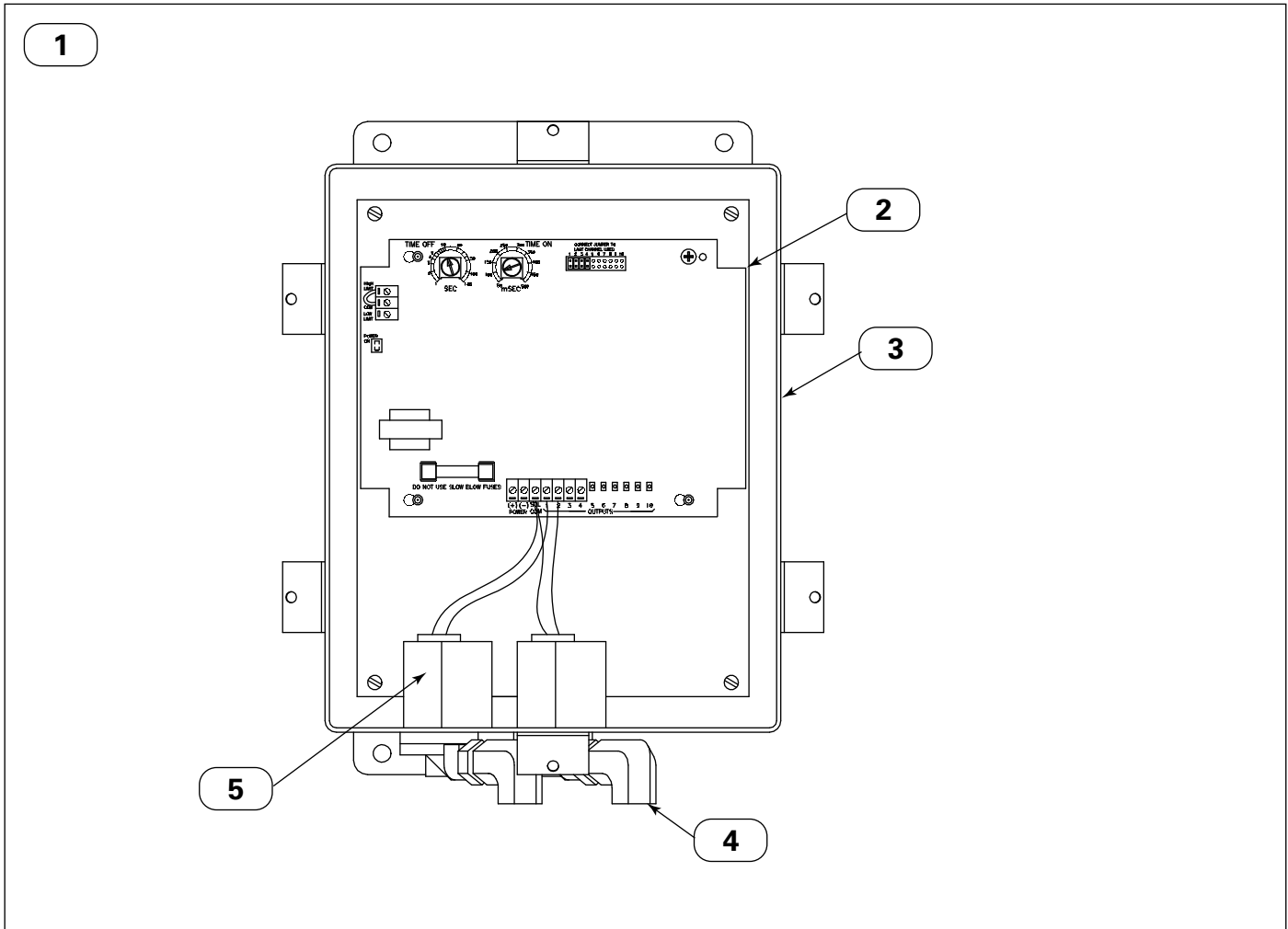
Photohelic® Gauge Assembly



Photohelic Gauge Assembly

Item	Part Number	Description	Model
1	516325	Photohelic Gauge Assembly	All
2	550074	Photohelic Gauge	All
3	516324	Plastic Tubing, Vinyl, 3/16-in ID, 5/16-in OD x 35-ft Long	All
4	1647700	1/8-in NPT x 3/16-in Barb Plastic Tubing Male 90° Elbow	All
5	2157400	1/8-in NPT x 1/8-in FPT Adapter	All
6	0900608	3/8-in Flat Washer, Steel	All
7	2326000	1/8-in x 90° Brass Female Elbow	All
8	2324501	Static Pressure Tee, Brass	All
9	515523	Photohelic Gauge Mounting Panel	All
10	1846300	1/8-in NPT Female Coupling	All

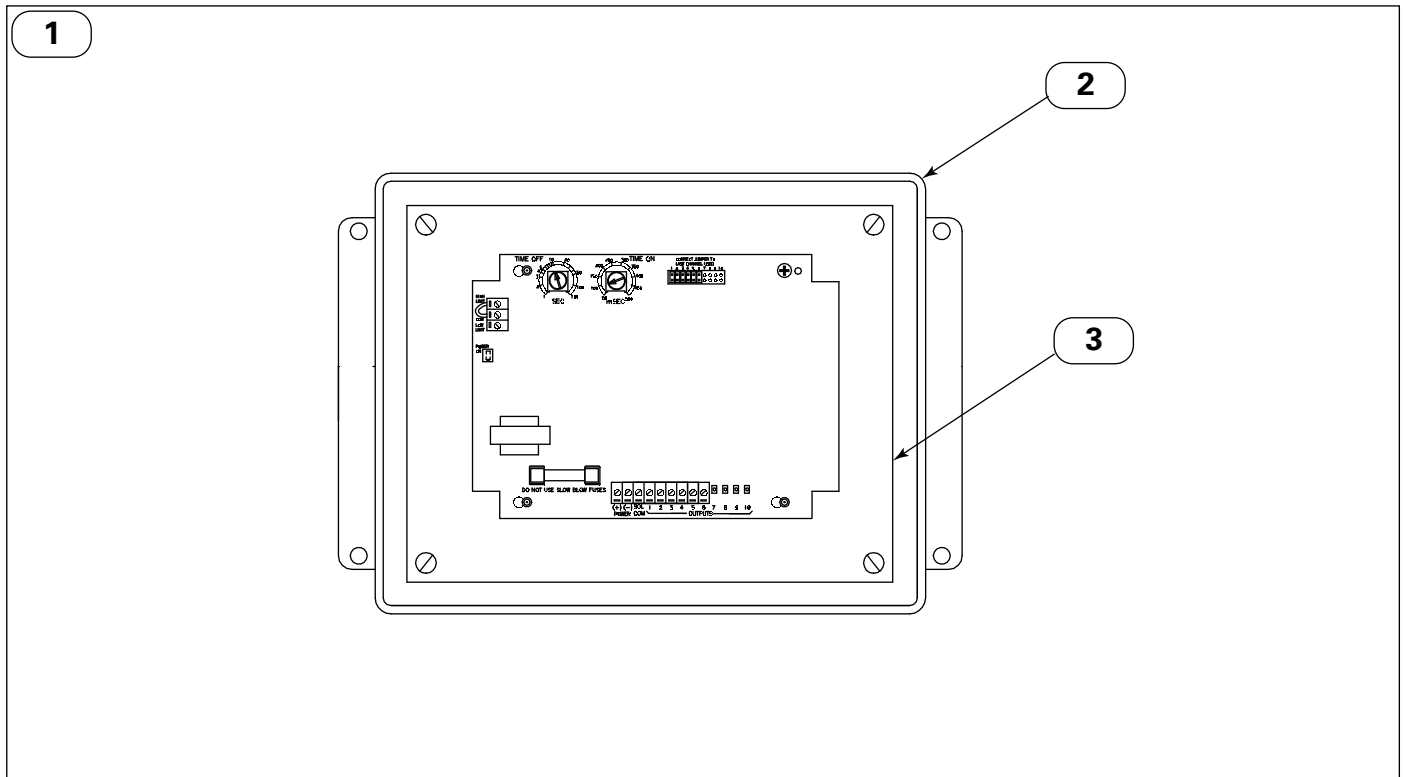
Control Box and Timer Assembly EM 2-2



Control Box and Timer Assembly EM 2-2

Item	Part Number	Description	Model
1	5714201	Control Box and Timer Assembly	EM 2-2
2	585090	Timer Board, 3-Pin	EM 2-2
3	5714301	Control Box, NEMA 4 10 x 8	EM 2-2
4	520432	Elbow, 1/4-OD Tube, Push-In x 1/8-in NPT	EM 2-2
5	516335	Solenoid Pilot Valve with Leads (includes fittings)	EM 2-2

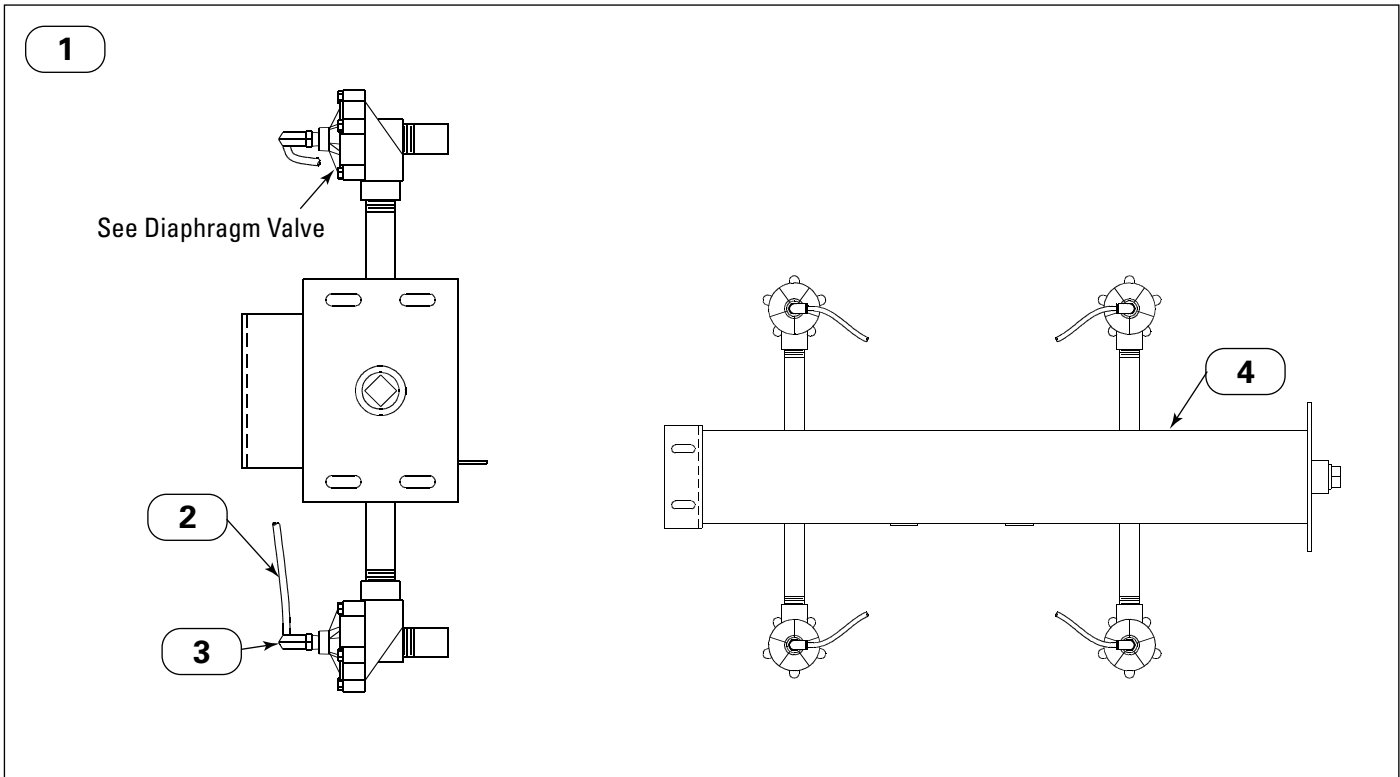
Control Box and Timer Assembly EM 2-4



Control Box and Timer Assembly EM 2-4

Item	Part Number	Description	Model
1	5853401	Control Box and Timer Assembly	EM 2-4
2	3597900	Control Box, NEMA 4 10 x 8	EM 2-4
3	516331	Timer Board, 6-Pin	EM 2-4

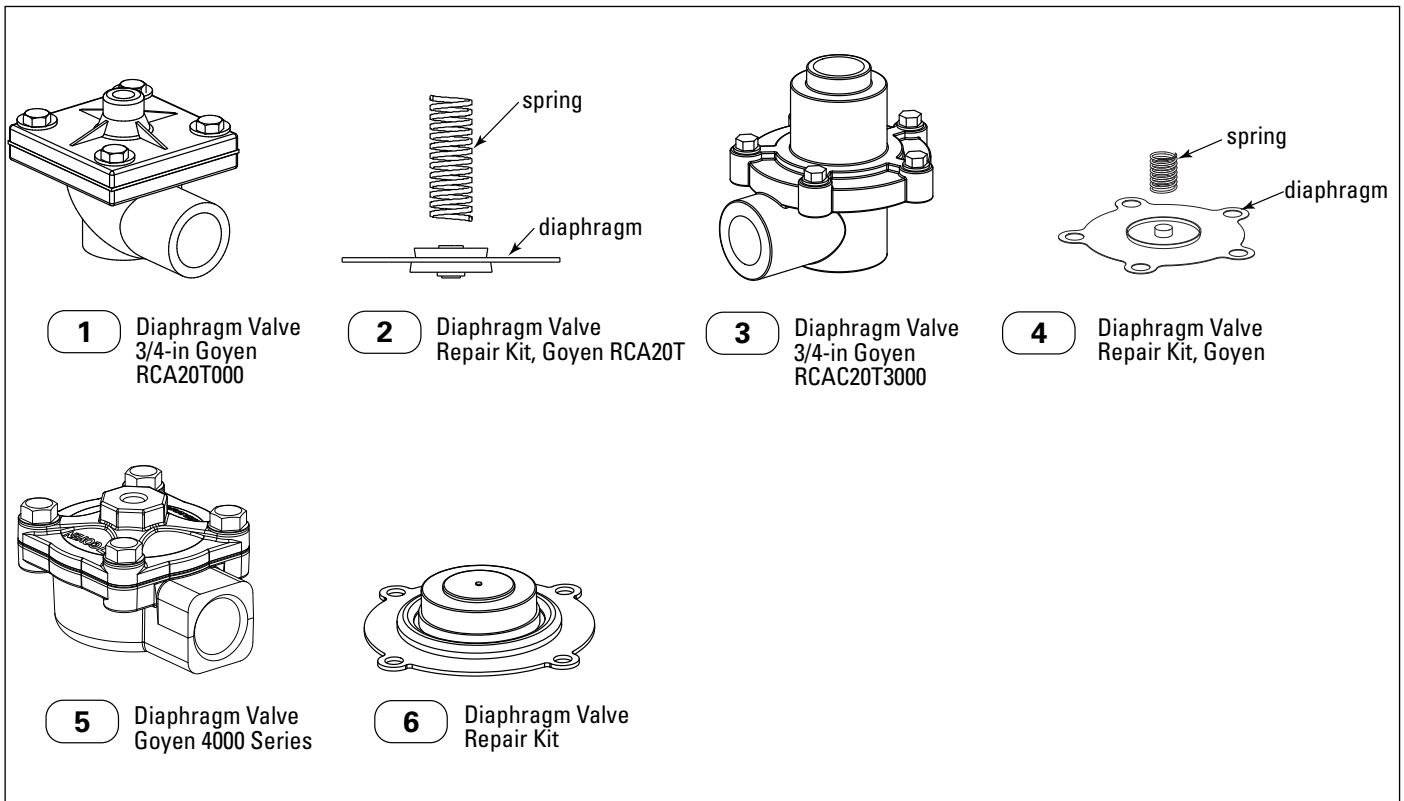
Manifold Assembly



Manifold Assembly

Item	Part Number	Description	Model
1	5704601	Manifold Assembly	EM 2-2
	5851601	Manifold Assembly	EM 2-4
2	2146400	1/4-in OD Polyethylene Tubing	All
4	2146200	Elbow, 1/4-OD Tube, Push-In x 1/8-in NPT	All
4	5702701	Manifold Weldment	EM 2-2
	5851901	Manifold Weldment	EM 2-4

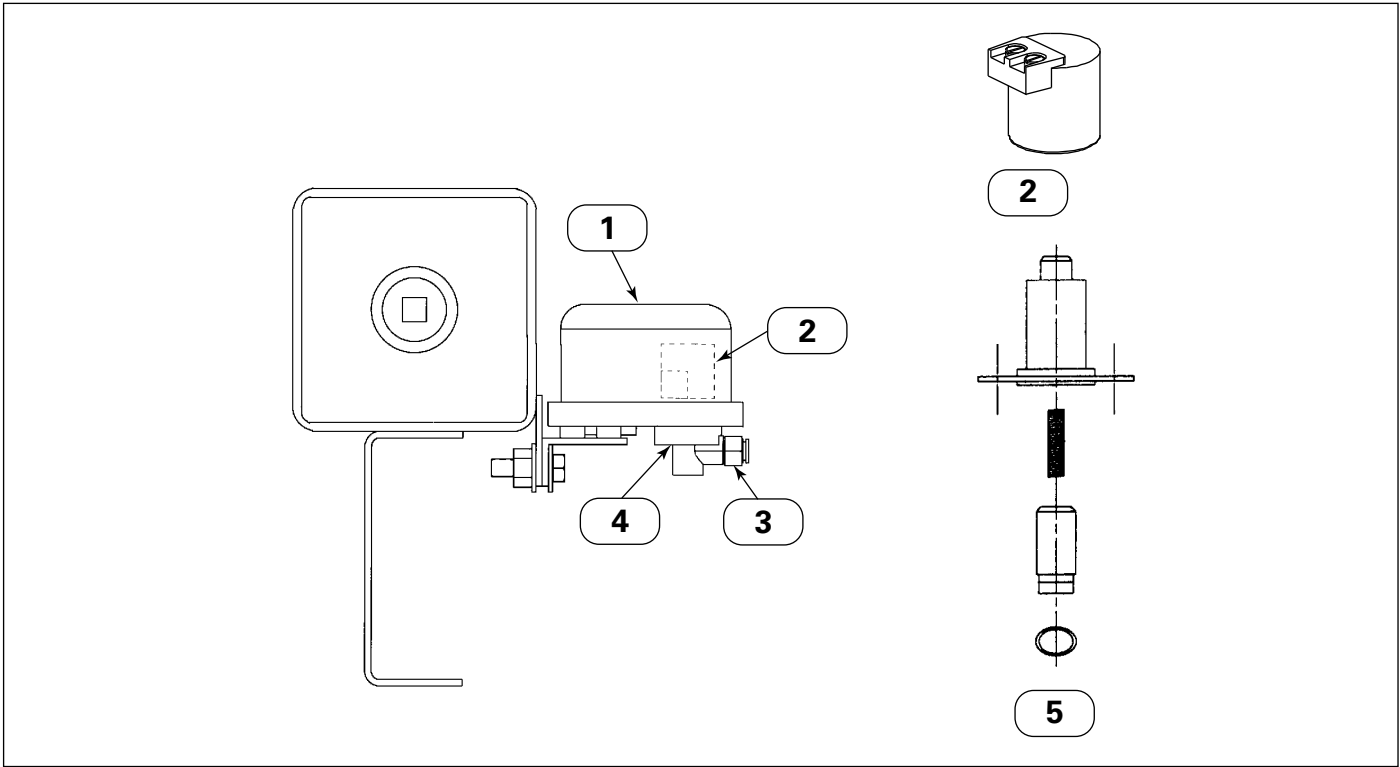
Diaphragm Valve and Repair Kit



Diaphragm Valve and Repair Kit

Item	Part Number	Description	Model
1	1883500	Not Available - Refer to Item 5	All
2	516328	Diaphragm Valve Repair Kit, 3/4-in Goyen RCA20T000	All
3	1883500	Not Available - Refer to Item 5	All
4	AD3193103	Diaphragm Valve and Repair Kit, 3/4-in Goyen RCAC20 Millennium	All
5	516343	Diaphragm Valve, 3/4-in Goyen RCAC20ST4012 (Shockwave)	All
6	AG8131305	Diaphragm Valve Repair Kit, 3/4-in Goyen 4000 Series Springless (Shockwave)	All

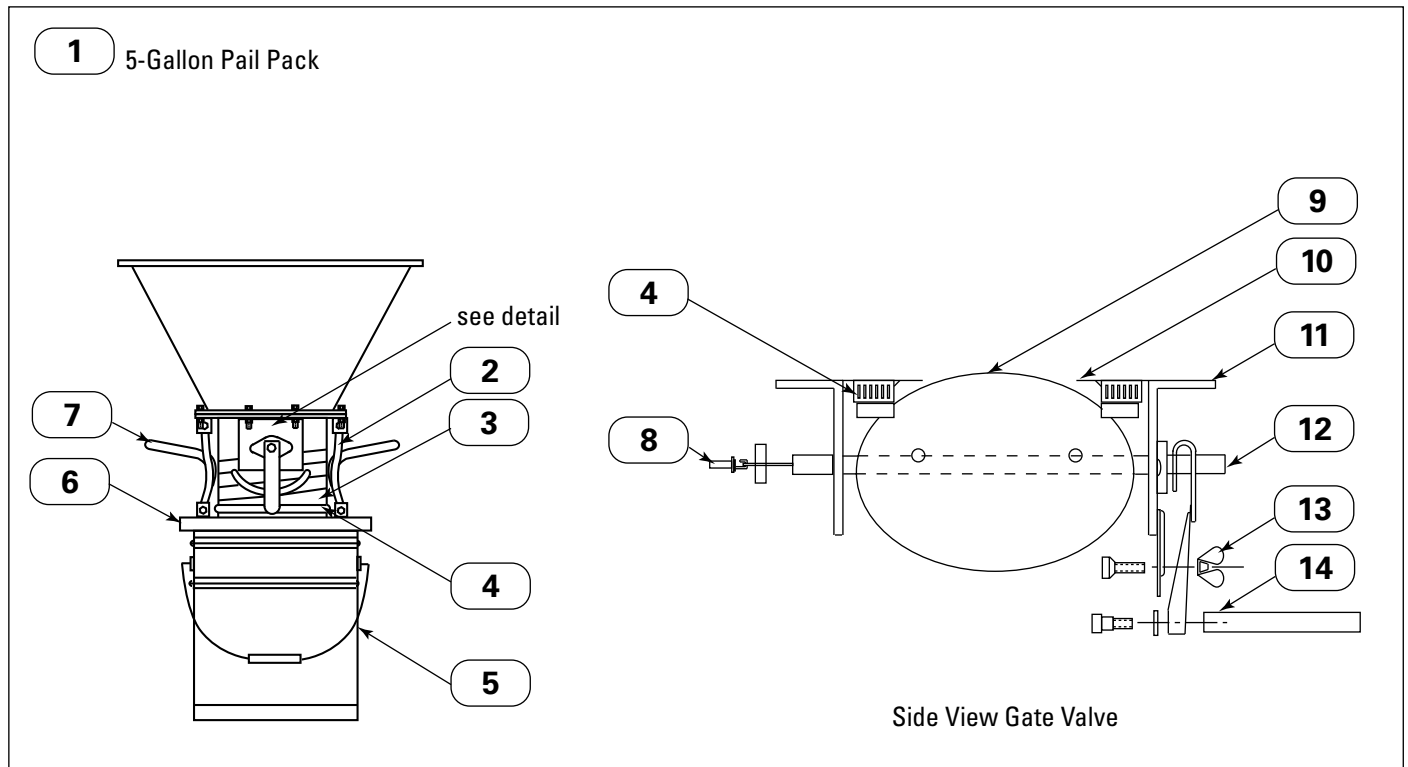
Solenoid Assembly, NEMA 4 Enclosure



Solenoid Assembly, NEMA 4 Enclosure

Item	Part Number	Description	Model
1	4894803	Solenoid Enclosure, NEMA 4 (includes solenoid valves)	EM 2-4
2	516336	Solenoid Valve Coil, 120-VAC	EM 2-4
3	516333	1/4-in OD Plastic Push-In x 1/8-in NPT Male Connector	EM 2-4
4	516338	Solenoid Valve with Coil, 120-VAC	EM 2-4
5	516337	Solenoid Valve Rebuild Kit	EM 2-4

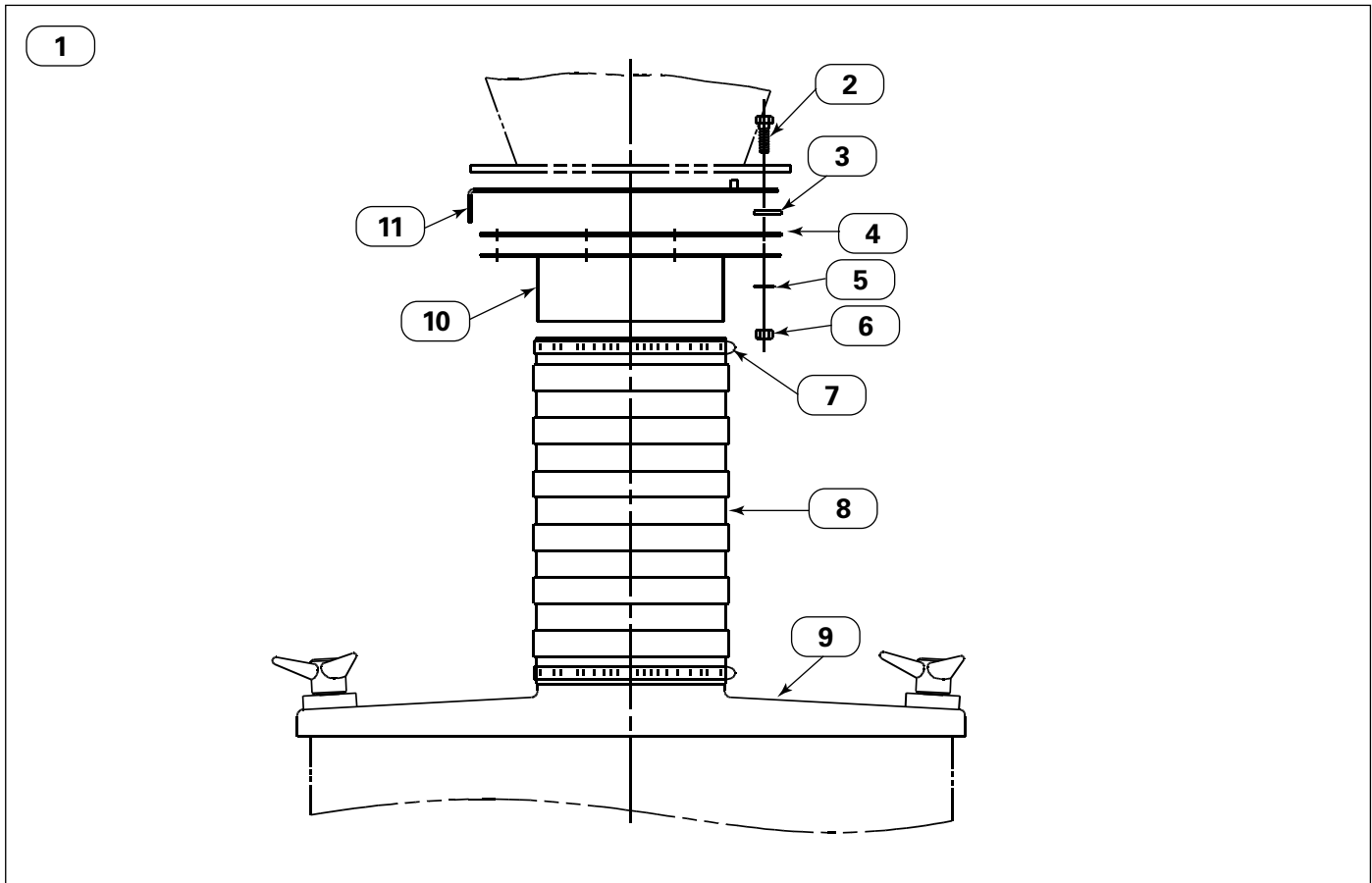
5-Gallon Pail Pack with Gate Valve



5-Gallon Pail Pack with Gate Valve

Item	Part Number	Description	Model
1	2781902	5-Gallon Pail Pack with Gate	All
2	2495700	Lift Link Bar	All
3	2732901	Flexible Duct, 7-in Diameter x 7-in Long	All
4	516339	Hose Clamp, 7-in	All
5	2495400	5-Gallon Pail	All
6	2494900	5-Gallon Pail Cover	All
7	2495600	Lift Handle	All
8	0011902	Support Bracket Pivot	All
9	2732400	Plate Gate, 6.78-in OD	All
10	2725800	Hopper Adapter Weld	All
11	2728200	Gate Support Bracket	All
12	2728400	Gate Shaft	All
13	2732700	Shaft Lock	All
14	2728500	Handle	All

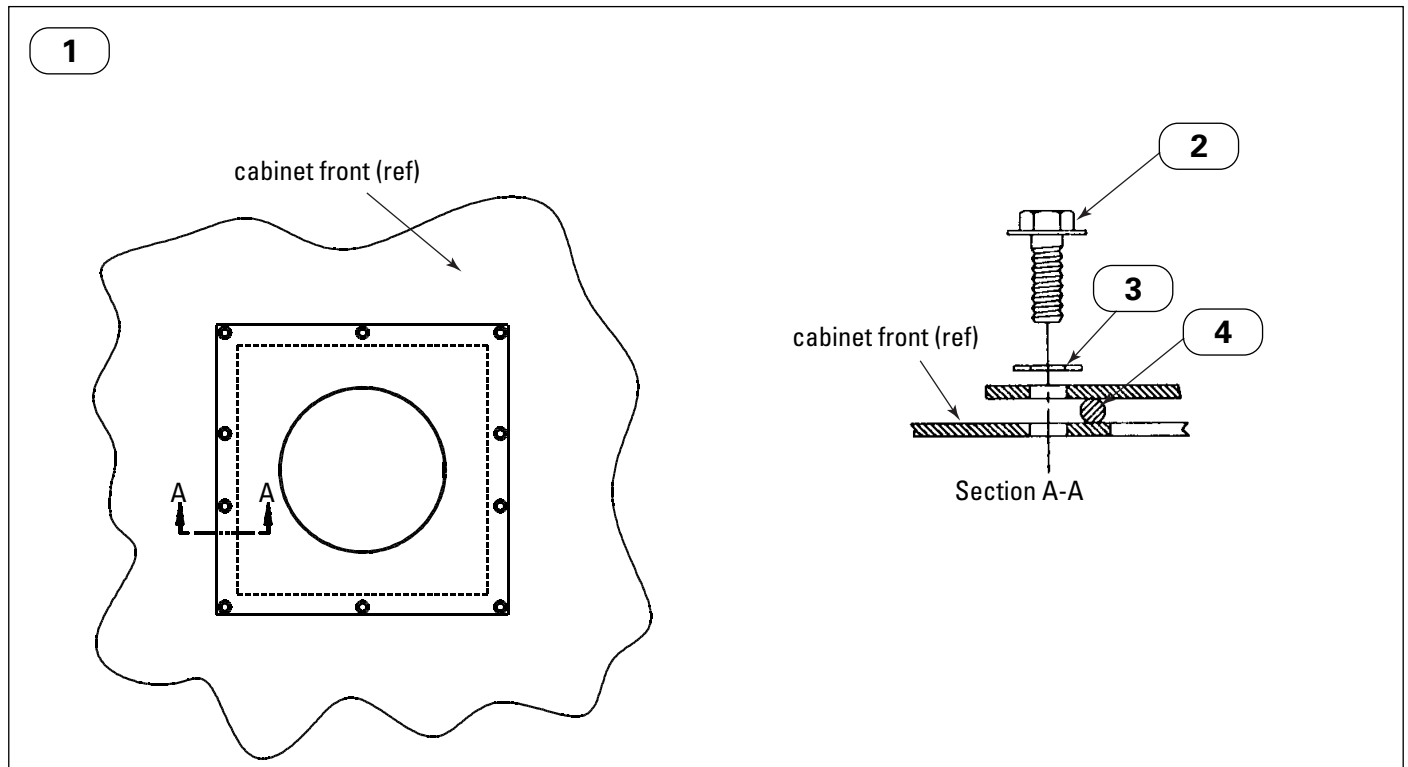
Drum Cover Assembly



Drum Cover Assembly

Item	Part Number	Description	Model
1	2391901	Drum Cover Assembly With Slide Gate Without Latch	All
	2391902	Drum Cover Assembly with Slide Gate With Latch	All
2	551242	Hex Bolt, 3/8-16 x 1.00, Steel Zinc Plated, Grade 2	All
3	1141004	Spacer, Slide Gate Adapter Back (1 Required)	All
4	1141003	Spacer, Slide Gate Adapter Side (2 Required)	All
5	552892	Flat Washer, 3/8, Steel Zinc Plated, Type A	All
6	552542	Hex Nut, 3/8-16, Steel Zinc Plated, Grade 2	All
7	516339	Hose Clamp, 7-in	All
8	516334	Flexible Duct, 7-in ID x 13-in long	All
9	2062201	Drum Cover without Latch	All
	2360301	Drum Cover with Latch	All
10	7631901	Hopper Adapter Plate Weldment, 7-in	All
11	1142505	Slide Gate, 7-in	All

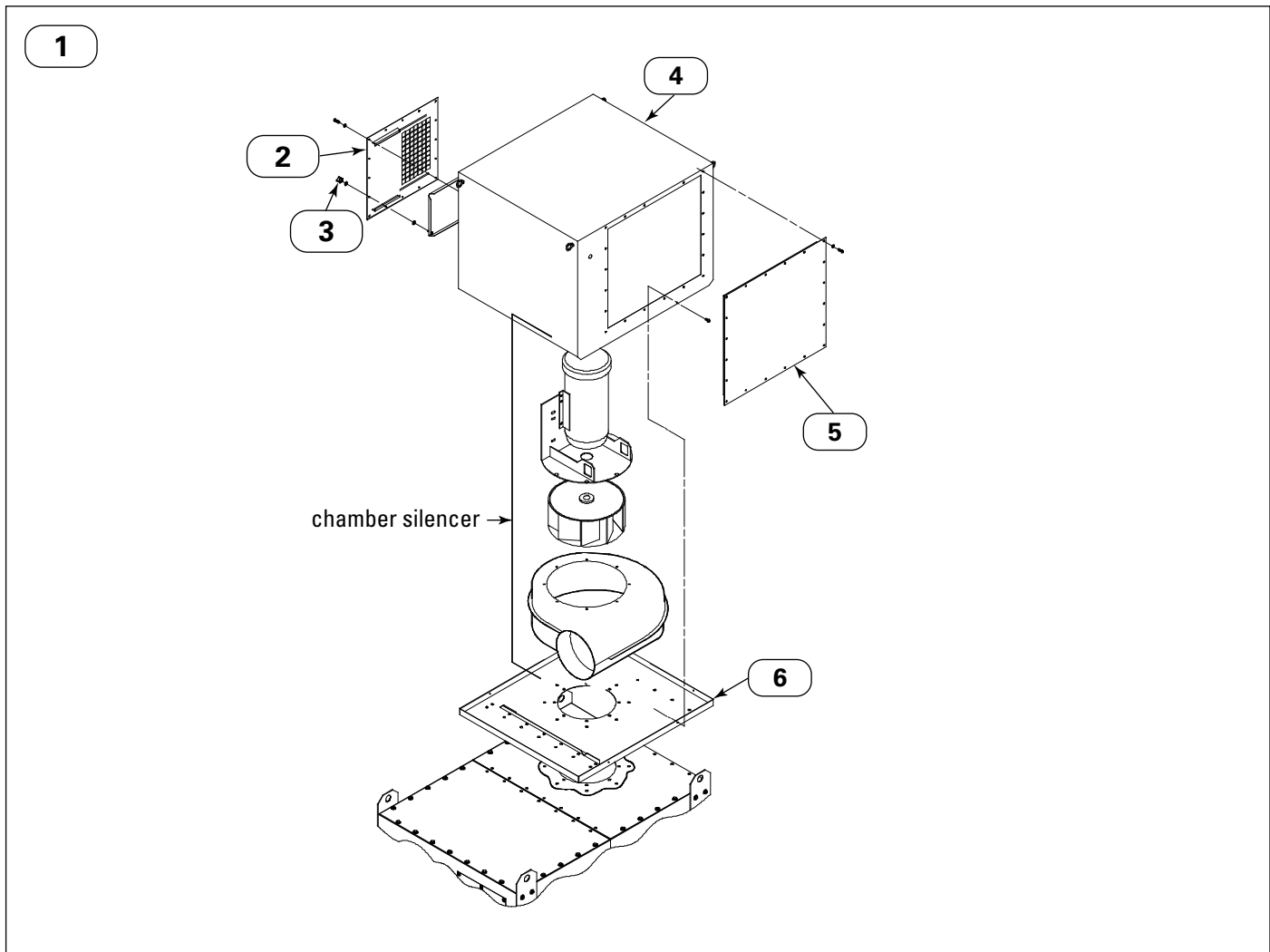
Inlet Cover Pack



Inlet Cover Pack

Item	Part Number	Description	Model
1	5709103	Inlet Cover Pack with Sealer, 12-in OD	EM 2-4
	5709102	Inlet Cover Pack with Sealer, 10-in OD	EM 2-2
2	0915212	Bolt, 5/16-18, TF Steel Zinc Plated	All
3	0900607	Flat Washer, 5/16, Steel, Zinc Plated Type A	All
4	0509700	1/4-in Diameter Rope-Type Sealant	All

Chamber Silencer



Chamber Silencer, Top Mount (10 TRB Fan Blower Configuration Only)

Item	Part Number	Description	Model
1	5705201	Chamber Silencer Pack, Top Mount	All
2	5713501	Damper Pack Silencer Outlet	All
3	516340	Knob, 1/4-20	All
4	5313600	Chamber Silencer Final Assembly	All
5	5313300	Access Cover	All
6	5705001	Silencer Base	All

Parts and Service Program

For genuine Empire Abrasive Equipment Company
replacement filters and parts, call:

800-497-4543

PARTS ORDERING INFORMATION

When ordering parts, give model number
and serial number, parts number, description
and quantity of parts desired.



2101 West Cabot Boulevard, Langhorne, PA 19047-1893
Phone: (215) 752-8800 E-Mail: Airblast@empire-airblast.com
Fax: (215) 752-9373 Visit: www.empire-airblast.com

© 1999 Empire Abrasive Equipment
Printed in USA

RPL 7515601 (ENG), Revision 3
January 2017