

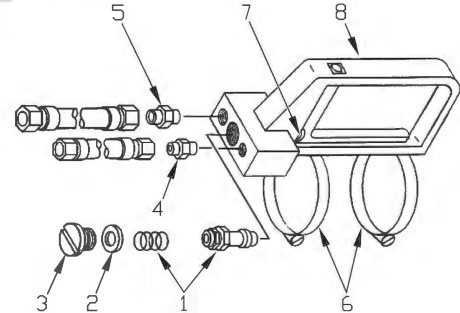
ALL EMPIRE BLAST EQUIPMENT REQUIRES COMPLIANCE WITH OSHA AND NIOSH REGULATIONS AND RECOMMENDATIONS.

Remote Control Handles

290164	Pneumatic Saf-Stop II	Pneumatic Saf-Stop II Remote Control Handle Assembly Complete w/Brass Fittings	2 lbs.
290354	Electric Saf-Stop II	Electric Saf-Stop II Remote Control Handle Assembly Complete w/3' Electric Cord and Plug	2 lbs.

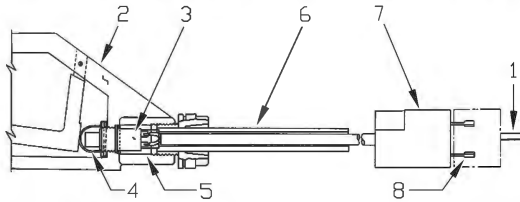
Pneumatic Saf-Stop II Remote Control Handle – Parts

Item	Part #	Description:	Ship Weight
1	290224	Saf-Stop II Plunger Assembly – includes: push rod, nut, spring, washer, "O" ring	1 lb.
2	290225	Saf-Stop II Parts Kit – includes: washer, two "O" rings, urethane disc	1 lb.
3	520122	Saf-Stop II Brass Plug	1 lb.
4	520212	Hose Adapter, 1/8" x 1/8"	1 lb.
5	520222	Hose Adapter, 1/4" x 1/4"	1 lb.
6	520521	Adjustable Clamp 3" (Each)	1 lb.
7	525112	Urethane Disc	1 lb.
8	752102	Handle w/trigger only	1 lb.



NOTE: Refer to Section "I" for Dual Line Remote Control Hose

Electric Saf-Stop II Remote Control Handle – Parts



Item	Part #	Description:	Ship Weight
1	530042	55' Cable w/fitting (standard)	27 1/2 lbs.
	530052	20' Cable w/fitting	10 lbs.
	530062	Cable per foot	1 lb.
2	753672	Handle w/trigger only	1 lb.
3	534531	Push Button	1 lb.
4	534541	Push Button Boot	1 lb.
5	523972	"O" Ring	1 lb.
6	290353	Electric Saf-Stop Cord w/fittings	1 1/2 lbs.
7	534001	Connector	1 lb.
8	534011	Receptacle	1 lb.